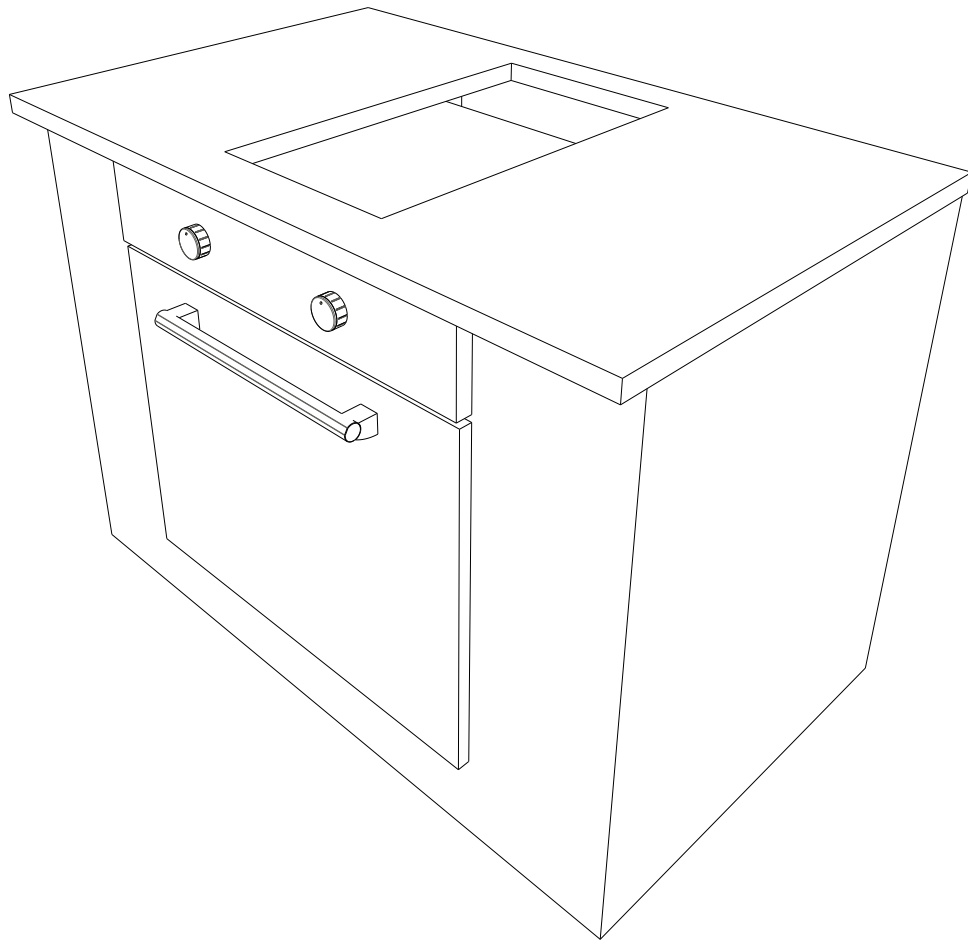
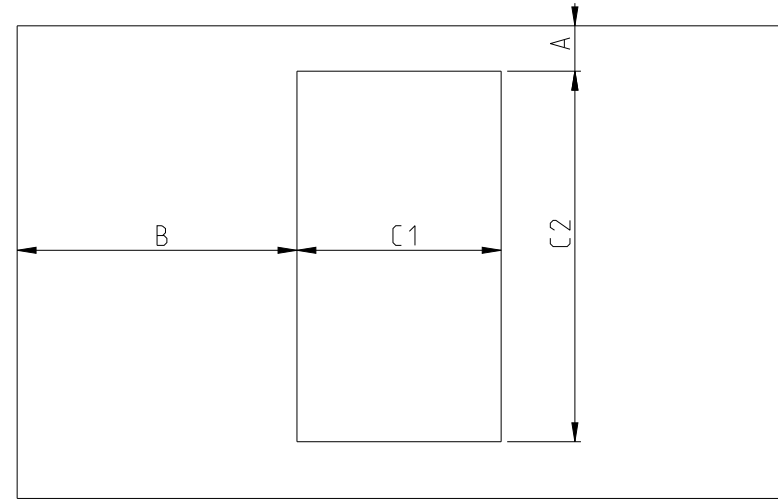
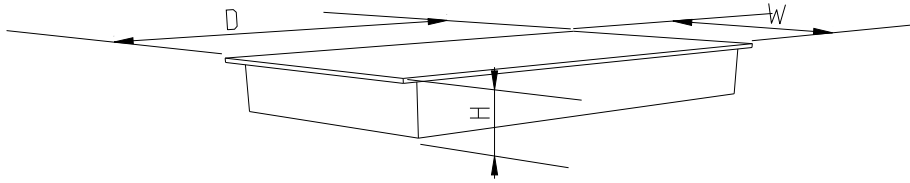
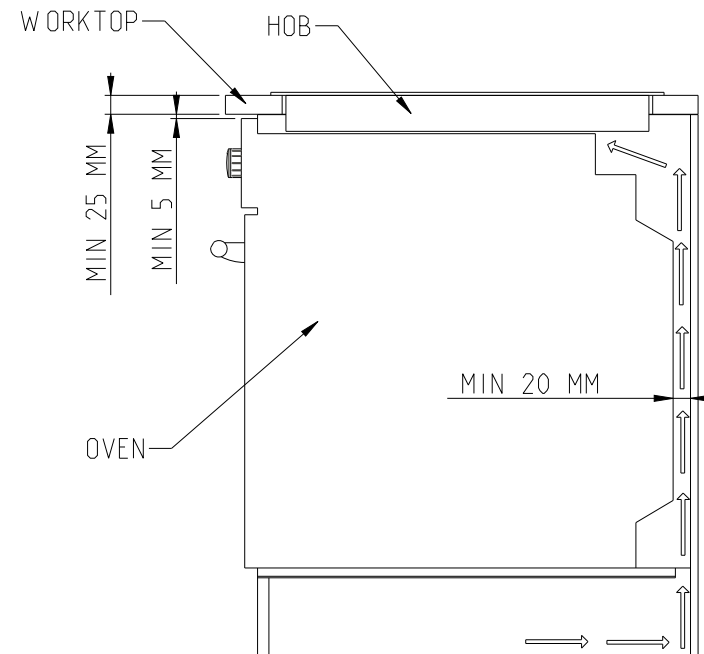


PRODUCT DIMENSIONS	W (MM)	D (MM)	H (MM)
	290	520	47.5

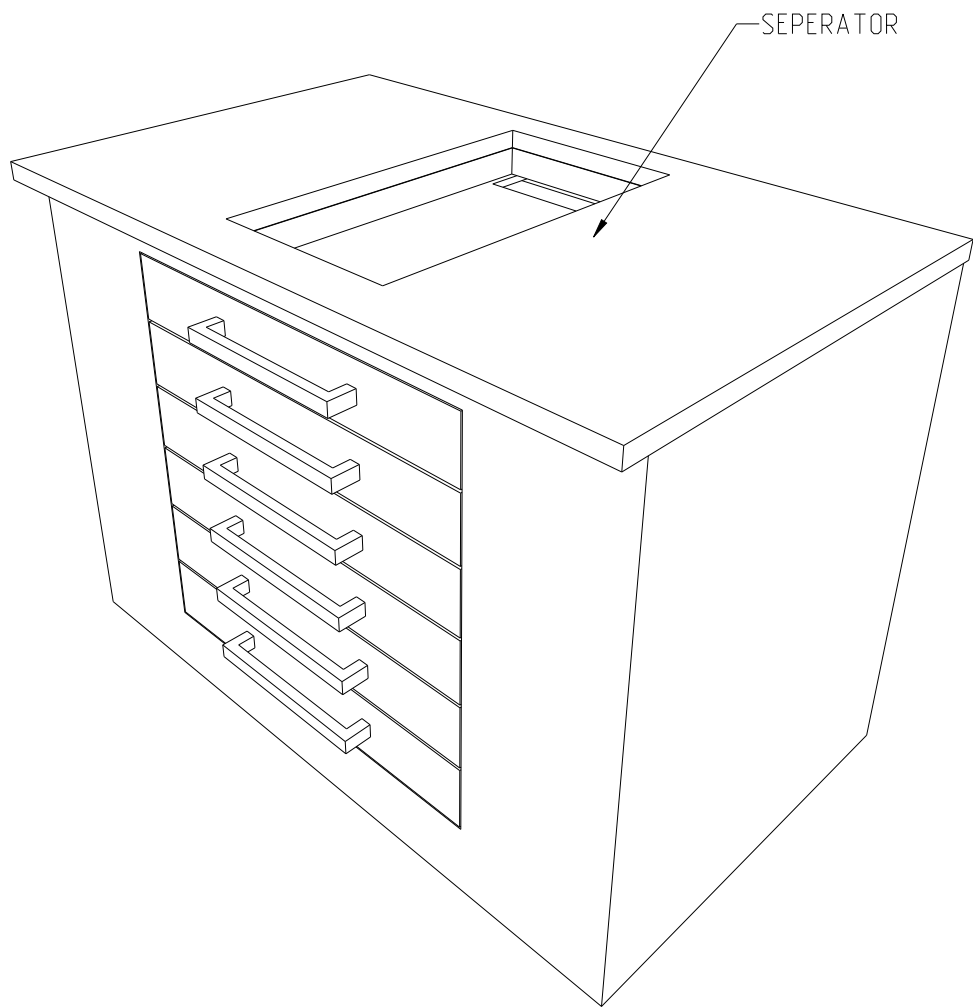
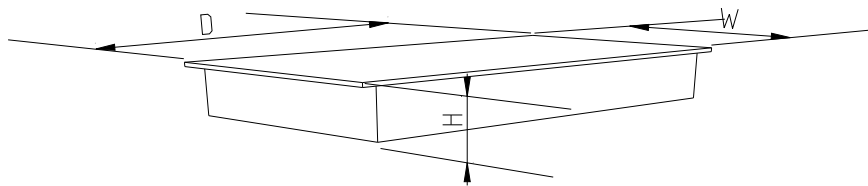
CUTOUT DIMENSIONS	C1 (MM)	C2 (MM)
	270	490



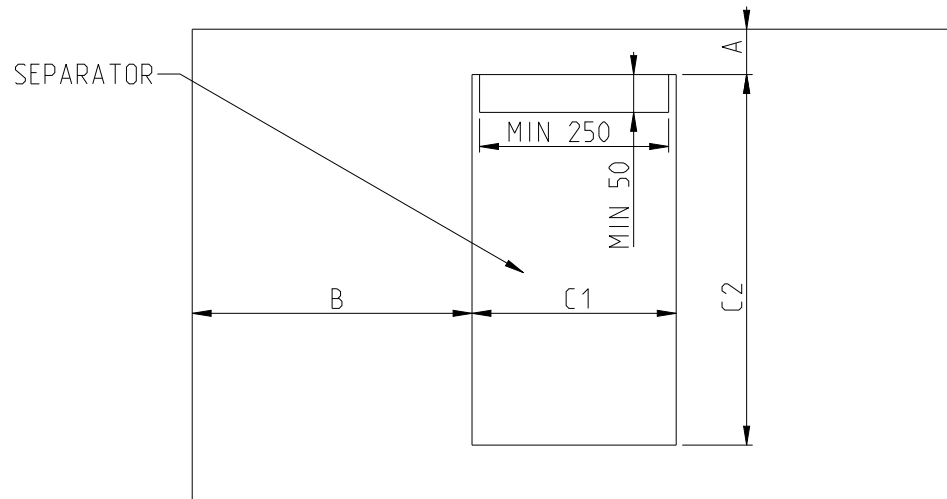
NEIGHBOURHOOD WALLS	MIN A (MM)	MIN B (MM)
	50	50



PRODUCT DIMENSIONS	W (MM)	D (MM)	H (MM)
	290	520	47.5



CUTOUT DIMENSIONS	C1 (MM)	C2 (MM)
	270	490



NEIGHBOURHOOD WALLS	MIN A (MM)	MIN B (MM)
	50	50

